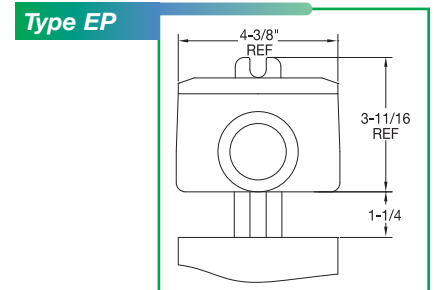
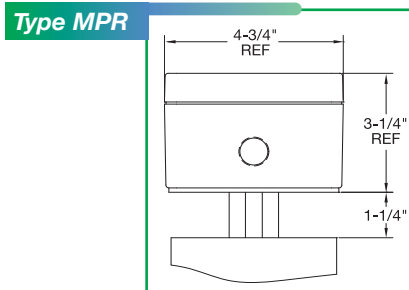
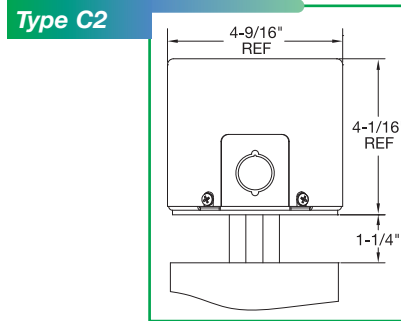
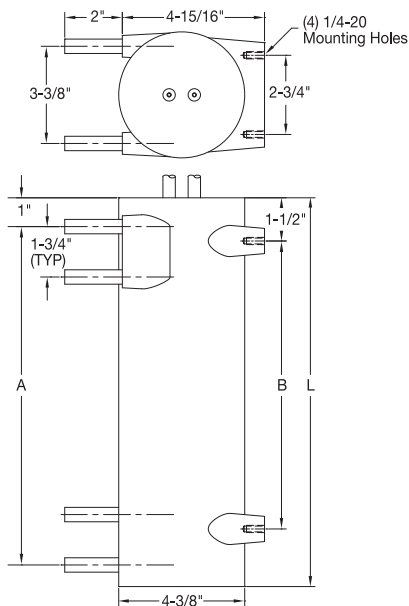


CHX-200 Series Circulation Heater



Length "L"	Inlet-to-Outlet Centerline "A"	Mounting Holes "B"	Flow Tube OD	Flow Tube Material	Used with Insulation Blanket
13.5	11.75	10	1/2	316 SS Seamless	BLK50003
19.5	17.75	16			BLK50004
25.5	23.75	22			BLK50005

Ordering Information

To process your order or quotation, please specify the following information.

Heater Specifications:

Dimensions

Length "L": 13.5" 19.5" 25.5" Custom _____

Electrical Specifications

Watts _____ (12,000W Max.) Volts _____ (480V Max.)

Single-Phase Three-Phase

Termination Type

Type "T" Type "T7" (See page 3-54 for details.)

Terminal Protection Box

Type C2 Type MPR Type EP (See pages 3-56 & 3-57 for details)

Flow Tube Configuration

Single Dual

Flow Tube Fittings

None "FF" Flared Seal Fitting "HS" Hi-Seal Fitting
(See page 3-52 for details.)

Optional Temperature Sensor Specifications:

Calibration

Type J Type K

Bayonet Style T/C

None "Style 1" Spring Adjustable "Style 2" Armor Cable Adjustable
(See page 14-3 for complete details.)

Termination

"Style B" 2-1/2" Split Leads "Style S" Spade Lugs "Style P" Standard Plug
(See page 14-9 for details.)

Length

36" 48" 60" 72" 96" 120" 144"

Optional Thermostat:

Thermostat

SPST DPST

NOTE: DPST requires larger Type C2 enclosure. Specify when ordering.
(See page 13-76 through 13-79 for details.)

⚠ WARNING: Cancer and Reproductive Harm - www.P65Warnings.ca.gov.