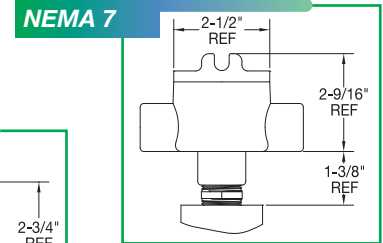
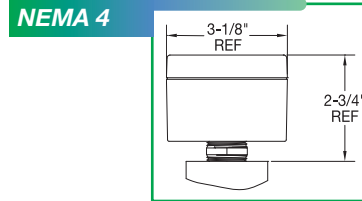
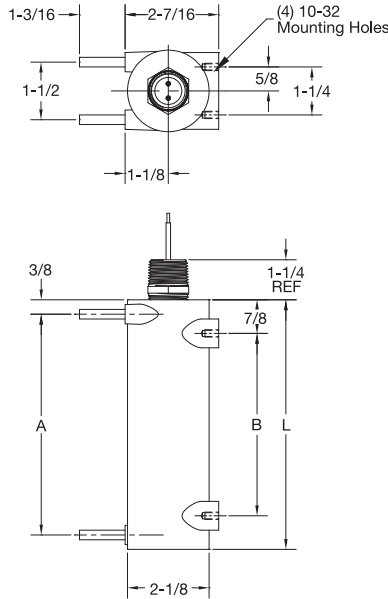


### CHX-100 Series Circulation Heater



**Ordering Information**  
 To process your order or quotation, please specify the following information.

Length "L"	Inlet-to-Outlet Centerline "A"	Mounting Holes "B"	Flow Tube OD	Flow Tube Material	Used with Insulation Blanket
6.5	5.75	4.75	1/4	316 SS Seamless	BLK50001
12.5	11.75	10.75			BLK50002

#### Heater Specifications:

**Dimensions**

Length "L":  6.5"  12.5"  Custom \_\_\_\_\_

**Electrical Specifications**

Watts \_\_\_\_\_ (3,000W Max.) Volts \_\_\_\_\_ (240V Max., Single Phase only)

**Termination Type**

Type CN – NPT Fitting with 10" Leads

**Terminal Protection Box**

NEMA 4  NEMA 7

**Flow Tube Fittings**

None  "FF" Flared Seal Fitting  "HS" Hi-Seal Fitting  
 (See page 3-52 for complete details.)

#### Optional Temperature Sensor Specifications:

**Calibration**

Type J  Type K

**Bayonet Style T/C**

None  "Style 1" Spring Adjustable  "Style 2" Armor Cable Adjustable  
 (See page 14-3 for complete details.)

**Termination**

"Style B" 2-1/2" Split Leads  "Style S" Spade Lugs  "Style P" Standard Plug  
 (See page 14-9 for details.)

**Length**

36"  48"  60"  72"  96"  120"  144"

#### Optional Thermostat:

**Thermostat**

High Limit Manual Reset (Standard)  High Limit Automatic Reset (Optional)  
 (See page 13-76 through 13-79 for details.)

**⚠ WARNING:** Cancer and Reproductive Harm - [www.P65Warnings.ca.gov](http://www.P65Warnings.ca.gov).