

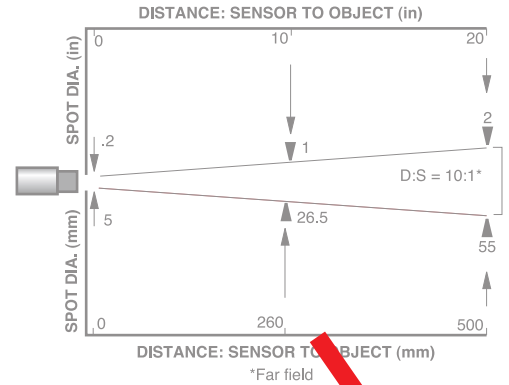
### Non-contact Infrared Temperature Measurement System — NCIT-LC Plus Series

#### Measurement Specifications

<b>Temperature Range:</b>	-40 to 1112°F (-40 to 600°C)
<b>Spectral Response:</b>	8 to 14 μm
<b>Optical Resolution:</b>	10:1
<b>System Accuracy:</b>	±1% or ±1°C, whichever is greater
<b>Repeatability:</b>	±0.5% or ±0.5°C, whichever is greater
<b>Response Time:</b>	150 ms, 95% of final reading
<b>Emissivity:</b>	Digitally adjustable, 0.1 to 1.10 by increments of 0.001 steps
<b>Signal Processing:</b>	Peak hold, Valley hold, Variable averaging filter, adjustable up to 998 sec.



**Note:**  
The basic system includes the sensing head and nut, die cast housing with pre-mounted electronic board, 3m (10 ft.) cable, and operator manual.



#### Electrical Specifications

<b>Programmable Outputs:</b>	0/4 - 20 mA, 0 - 5 Vdc (scalable) J or K thermocouple 10 mV / °C head ambient signal
<b>Power (user to supply unit):</b>	12 - 24 Vdc @ 100 mA
<b>Max. Loop Impedance:</b>	500Ω with 24 Vdc power supply

#### Sensor Specifications

<b>Environmental Rating:</b>	NEMA 4 (IP65)
<b>Max. Ambient Temperature:</b>	Sensing head: 32° to 185°F (0 to 85°C) With air cooling up to 392°F (200°C) Elect. housing: 32° to 149°F (0 to 65°C)
<b>Relative Humidity:</b>	10 to 95%, non-condensing
<b>Weight:</b>	Sensing head: 50g w/cable, stainless steel Electronics housing: 270g, Zinc die-cast

#### Model Numbers

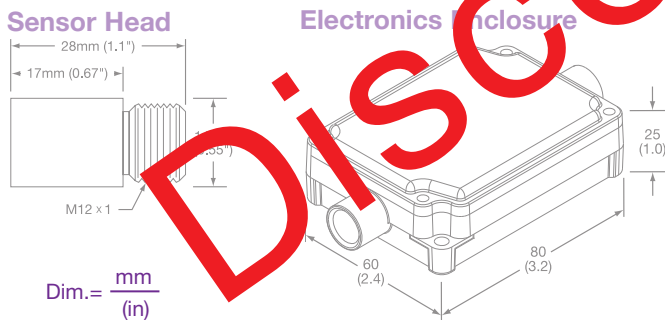
Part Number	Optical Resolution	Cable Length	Range Type
REN00150	10 : 1	10 ft. / 3 m	LT - low temp
REN00155	10 : 1	3 ft. / 1 m	LT - low temp
REN00170	22 : 1	10 ft. / 3 m	LT - low temp
REN00175	22 : 1	3 ft. / 1 m	LT - low temp

**with RS485 data interface**

REN00151	10 : 1	10 ft. / 3 m	LT - low temp
REN00156	10 : 1	3 ft. / 1 m	LT - low temp
REN00176	22 : 1	10 ft. / 3 m	LT - low temp
REN00178	22 : 1	3 ft. / 1 m	LT - low temp

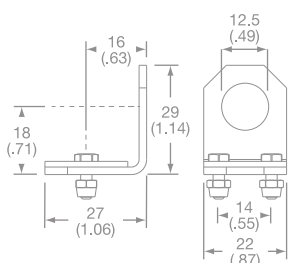
**Communication Accessory Connection Kits** are required for setup and monitoring of extended multi-drop features. One kit can service multiple sensors. These kits contain DataTemp® Multi-Drop software and connectors to provide for simple setup of analog/digital inputs and outputs of the optional RS232 or RS485 interface via a PC.

- REN00306** — RS485 2-wire connection kit provides for setup and monitoring via DataTemp® Multi-Drop software and a RS485/RS232 converter provided with 110Vac power supply
- REN00307** — RS232 connection kit provides for setup and monitoring via DataTemp® Multi-Drop software and a 3-wire RS232 connection
- REN00209** — Power supply: 12 Vdc at 200 mA, 120 Vac input

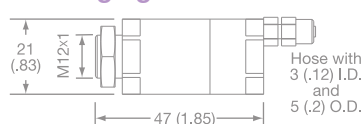


Optional: Electronics enclosure with view port window in cover  
**Part Number: REN00308**

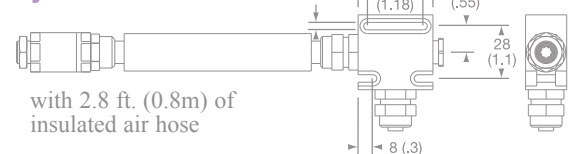
#### Adjustable Mounting Bracket — REN00303



#### Optical Lens Air Purging Jacket — REN00302



#### Air Cooling System — REN00301



#### Ordering Information

Choose the **NCIT-LC Plus**, accessories, and/or options desired, and order by the associated part number.

**Standard lead time is stock to 3 weeks.**