

Beam-A-Temp™ Portable Infrared Thermometer

Measures up to 1832°F/1000°C with 50:1 distance to target ratio

Temperature range from
-58 to 1832°F (-50 to 1000°C)!



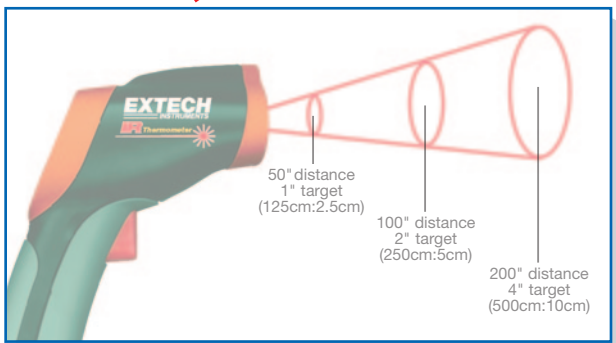
Design Features

- * Built-in laser identifies target area.
- * High and low alarms.
- * Adjustable emissivity increases measurement accuracy for different surfaces.
- * Adjustable High/Low setpoints alarm with audible alarm alerts user when temperature exceeds the programmed setpoints.
- * MAX/MIN/AVG plus differential between MAX & MIN.
- * Backlighting illuminates display for taking measurements at night or in areas with low background light levels.
- * High resolution of 0.1° up to 199.9°.
- * Automatic Data Hold when trigger released.
- * Auto power off.
- * Wide temperature range from -58 to 1832 F (-50 to 1000°C).
- * High 50:1 distance to target ratio measures smaller surface areas at greater distances.
- * Complete with 9V battery and carrying case.
- * 3-year warranty.

Specifications

| | |
|-------------------------------------|------------------------------------|
| Range: | -58 to 1832°F (-50 to 1000°C) |
| Basic Accuracy: | ±2% of reading or +4°F/2°C |
| Maximum Resolution: | 0.1°F/°C |
| Emissivity: | Adjustable |
| Field of View (Distance to Target): | 50:1 |
| Dimensions: | 3.9 × 2.2 × 9" (100 × 56 × 230 mm) |
| Weight: | 10.2 oz. (290g) |

Agency Approval:



50:1 distance to target ratio

Ordering Information

Part Number **REB30040** Portable IR Thermometer
Part Number **REB32040** Portable IR Thermometer
with NIST Certificate

Standard lead time is stock to 3 weeks.

WARNING: Cancer and Reproductive Harm - www.P65Warnings.ca.gov.

(800) 323-6859 • Email: sales@tempco.com