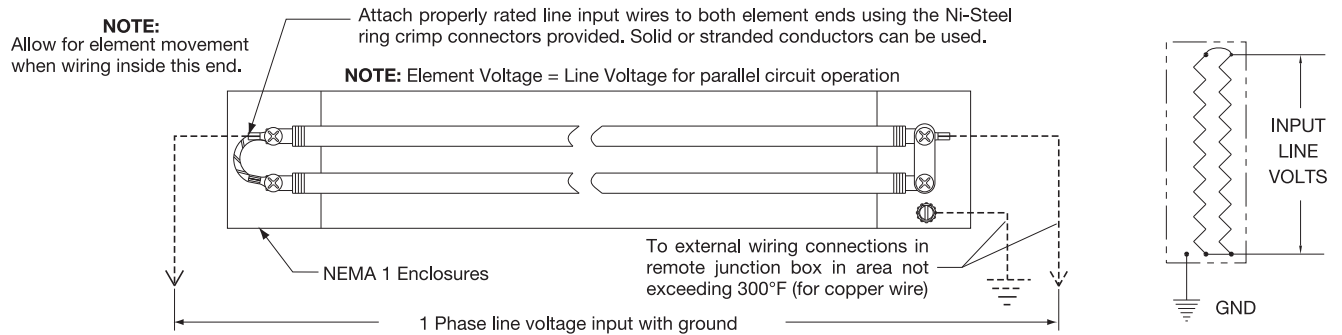
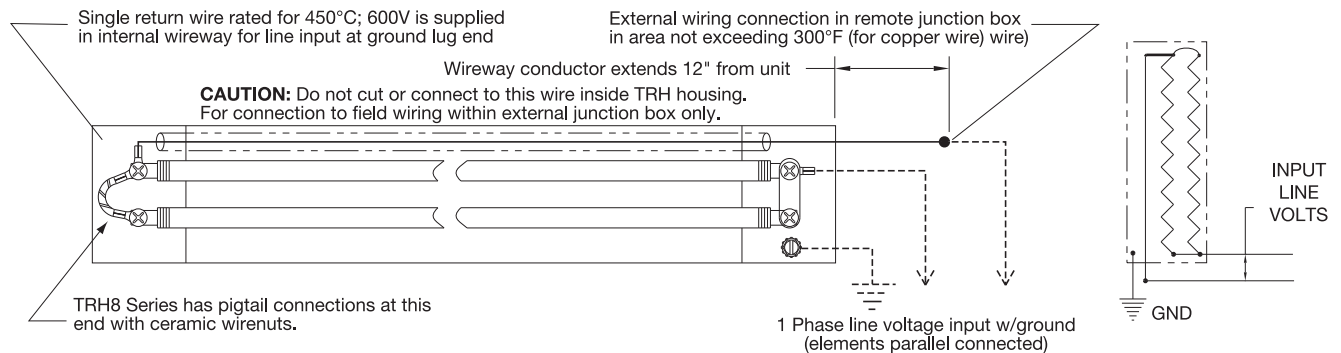


TRH2 (page 7-77) Standard Double-End Wiring



TRH2 (page 7-77) Optional Single-End Wiring



TRH2 (page 7-77) Multiple Heat/Dual Voltage Wiring

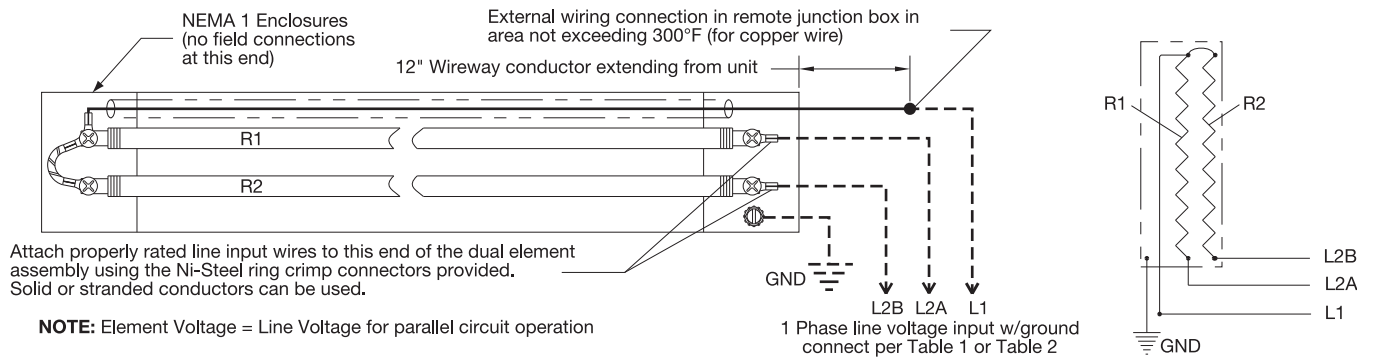


TABLE 1

Multiple Heat Connections (Single Input Voltage)

Heat Range	Line Input Wiring
Max Heat	L1 to L2A & L2B in parallel
Medium Heat	L1 to L2A or L2B only
Low Heat	L2A to L2B (L1 not used)

TABLE 2

Dual Voltage Connections (for 240/480V or 120/240V rated units)

Input Voltage	Line Input Wiring
High (480 or 240V)	L2A to L2B (L1 not used)
Low (240 or 120V)	L1 to L2A & L2B in Parallel



DANGER: Fire Hazard. Radiant Process Heaters with NEMA 1 electrical housings are not to be used in applications where flammable vapors, gases or liquids are present as defined in the National Electrical Code. Do not mount the heater closer than 6 inches to any structural or surrounding material that does not have a minimum temperature rating of continuous operation at 395°F (200°C).

Proper ventilation is required to expel vapors or fumes away from the process and personnel.