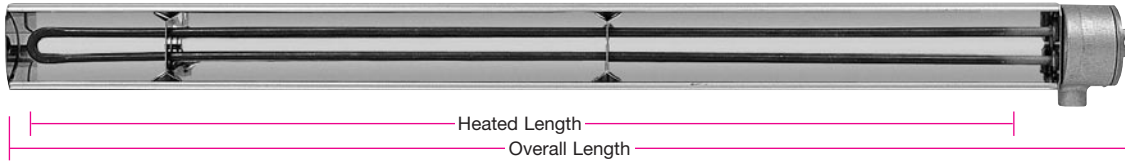


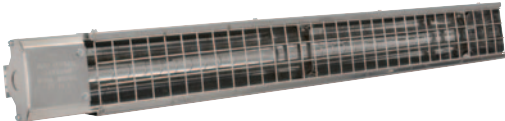
TRH5 Series — Single Hairpin Element Liquid Tight Single End Termination



Standard (Non-Stock) and Stock Sizes and Electrical Ratings

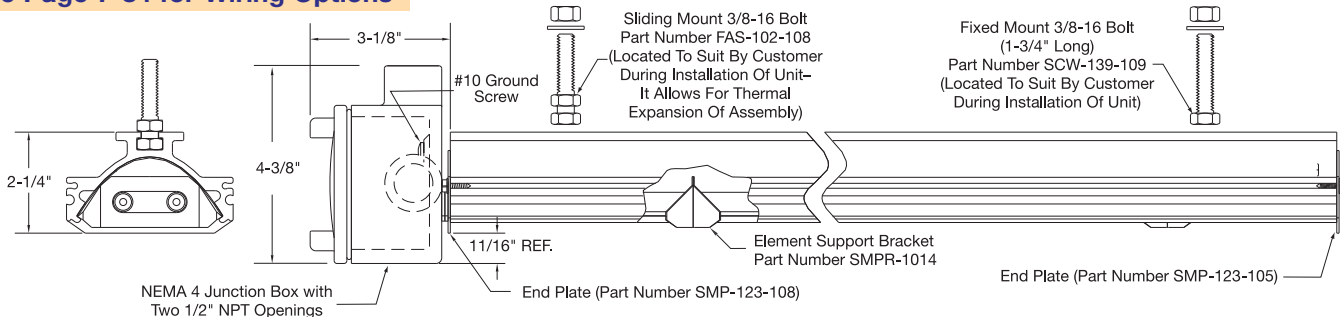
Stock Items Are Shown In **RED**

Wattage	Volts	Overall Length in.	Heated Length in.	Part Number without Wire Guard	Part Number with Protective Wire Guard	Replacement Heating Element	Replacement Protective Wire Guard	Replacement Reflector Set
800	120	12	7	TRH50001	TRH50040	THE09177	GRD-104-112	SMPR-1035
	208			TRH50002	TRH50041	THE09178		
	240			TRH50003	TRH50042	THE09179		
	277			TRH50004	TRH50043	THE09180		
				TRH50005	TRH50044	THE09181		
1200	120	18	13	TRH50006	TRH50045	THE09182	GRD-104-113	SMPR-1036
	208			TRH50007	TRH50046	THE09183		
	240			TRH50008	TRH50047	THE09184		
	277			TRH50009	TRH50048	THE09185		
				TRH50010	TRH50049	THE09186		
1800	208	24	19	TRH50011	TRH50050	THE09187	GRD-104-114	SMPR-1037
	240			TRH50012	TRH50051	THE09188		
	277			TRH50013	TRH50052	THE09189		
	480			TRH50014	TRH50053	THE09190		
				TRH50015	TRH50054	THE09191		
2500	208	30	25	TRH50016	TRH50055	THE09192	GRD-104-115	SMPR-1038
	240			TRH50017	TRH50056	THE09193		
	277			TRH50018	TRH50057	THE09194		
	480			TRH50019	TRH50058	THE09195		
				TRH50020	TRH50038	THE09196		
3000	208	36	31	TRH50021	TRH50059	THE09197	GRD-104-116	SMPR-1039
	240			TRH50022	TRH50060	THE09198		
	277			TRH50023	TRH50061	THE09199		
	480			TRH50024	TRH50062	THE09200		
				TRH50025	TRH50063	THE09201		
5000	208	60	55	TRH50026	TRH50064	THE09202	GRD-104-118	SMPR-1041
	240			TRH50027	TRH50065	THE09203		
	277			TRH50028	TRH50066	THE09204		
	480			TRH50033	TRH50073	THE10301		
				TRH50034	TRH50074	THE10302		
6000	208	72	67	TRH50035	TRH50075	THE10303	GRD-104-124	SMPR-1094
	240			TRH50036	TRH50076	THE10304		
	277							
	480							



Heater with Protective Guard
Helps prevent accidental direct contact with heating element.

See Page 7-84 for Wiring Options



See Page 7-84 for Stock Heavy Duty Quick Disconnect Plugs and Receptacles