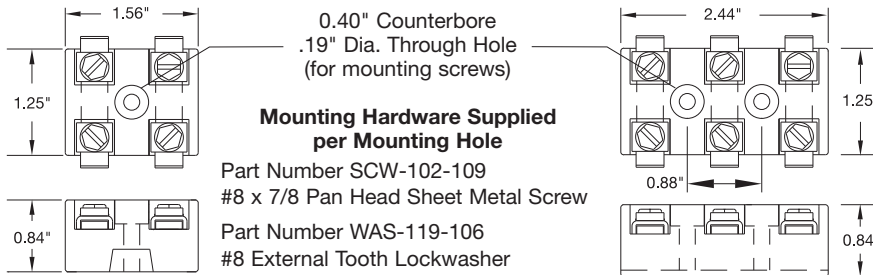


Standard Ceramic Terminal Blocks for Internal Wiring

Used for internal connections within CRA linear structural housings and ARA arrays.

Design Features

- * **Maximum Voltage:** 600 VAC
- * **Maximum Current:** 20 Amps
- * **Maximum Temperature:** 450°C/842°F
- * **AWG:** 20-12 ga. wire
- * **Hardware:** Stainless Steel
- * **Terminals:** #8 Screw
- * **Body Material:** Steatite



Part Number:
EHD-108-101



Part Number:
EHD-108-121

Ceramic Terminal Blocks (Enclosed Terminals)

Used for wiring of heater power and thermocouple wiring in high temperature locations.

Design Features

- * **Maximum Voltage:** 380 VAC
- * **Maximum Current:** 30 Amps
- * **Maximum Temperature:** 240°C/464°F
- * **AWG:** 26-12 stranded, 26-14 solid
- * **Screw:** M3, zinc plated steel
- * **Terminal Body:** Nickel plated brass
- * **Body Material:** Porcelain
- * **Rating:** CE, VDE



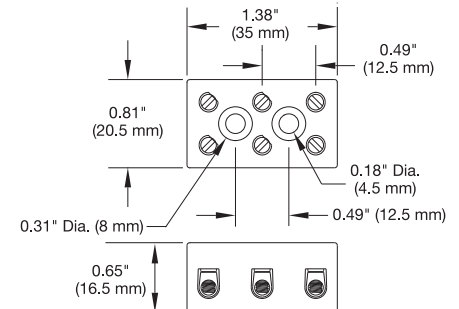
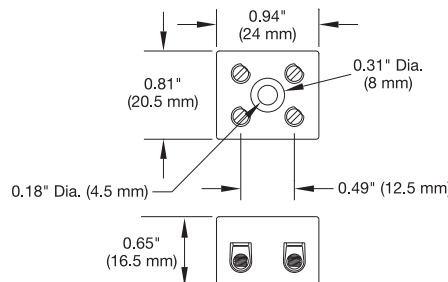
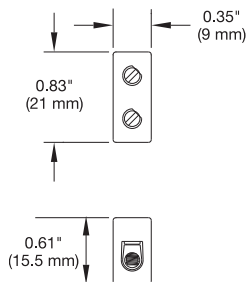
Part Number:
EHD-108-116



Part Number:
EHD-108-117

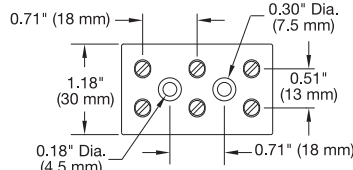
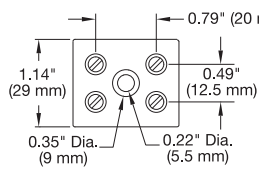


Part Number:
EHD-108-118



Design Features

- * **Maximum Voltage:** 600 VAC
- * **Maximum Current:** 50 Amps
- * **Maximum Temperature:** 200°C/392°F
- * **AWG:** 14-8 ga wire
- * **Screw:** M4, zinc plated steel
- * **Terminal Body:** Nickel plated brass
- * **Body Material:** Porcelain
- * **Agency Approval:** UL, File # E69841



Stock Number: EHD-108-114
MFR Part Number: 4010-B



Stock Number: EHD-108-115
MFR Part Number: 4011-B

