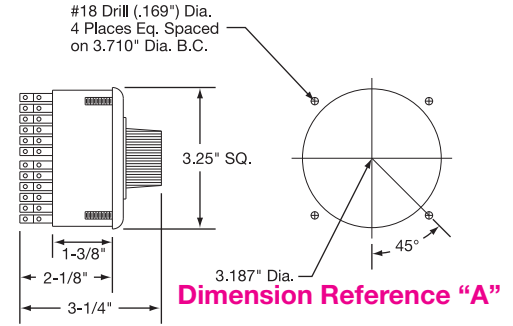


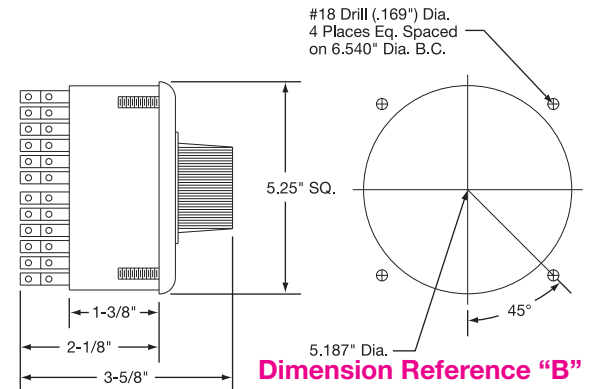
Thermocouple and RTD Selector Switch

Design Features:

- * Available in 6 to 36 positions.
- * 2-pole and 3-pole circuits with "OFF" position.
- * Silver-plated blades and contacts with self-cleaning wiper action and low contact resistance.
- * Terminals are silver-plated brass with numbered circuits and polarity identification.
- * "OFF" position has terminals available for shorting input circuit when using it with a digital meter (not available on 3-pole).
- * High-impact GE Noryl™ case.



Number of Positions	Circuit Type	Dimensions Reference	Part Number
6	2-Pole	A	TCA-124-101
10	Break Before Make	A	TCA-124-102
12	2-Pole	A	TCA-124-103
18	Make Before Break	A	TCA-124-104
20	Make Before Break	A	TCA-124-105
24	2-Pole	B	TCA-124-106
36	Make Before Break	B	TCA-124-107
6	3-Pole	B	TCA-124-108
12	Make Before Break	B	TCA-124-109
18	Make Before Break	B	TCA-124-110
24	Make Before Break	B	TCA-124-111



Circular Panel Jacks

Design Features:

- * Available in standard and miniature sizes (2-pin only).
- * Used where individual jacks are required to fit in standard electrical knockouts.
- * Standard jack fits in 3/4" (1-1/8" dia.) electrical knockout.
- * Miniature jack fits in 1/2" (7/8" dia.) electrical knockout.
- * Jacks are ANSI color coded with a temperature rating of 350°F (177°C) continuous and 400°F (204°C) intermittent.
- * Both the standard and miniature jacks install from the front of the panel with no additional hardware required.

Standard Jack

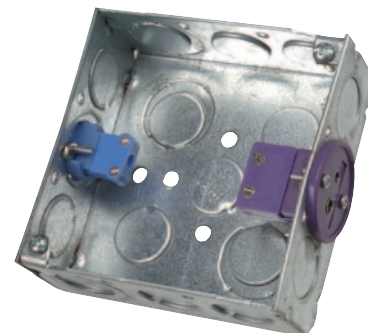


Miniature Jack



ANSI Calibration	Body Color	Part Number	
		Standard	Miniature
J	Black	TCA-102-167	TCA-102-174
K	Yellow	TCA-102-168	TCA-102-175
T	Blue	TCA-102-169	TCA-102-176
E	Purple	TCA-102-170	TCA-102-177
R/S	Green	TCA-102-171	TCA-102-178
U*	White	TCA-102-172	TCA-102-179
N	Orange	TCA-102-173	—

* "U" is designated for RTDs and type B thermocouples



Example of Electrical Box Mount