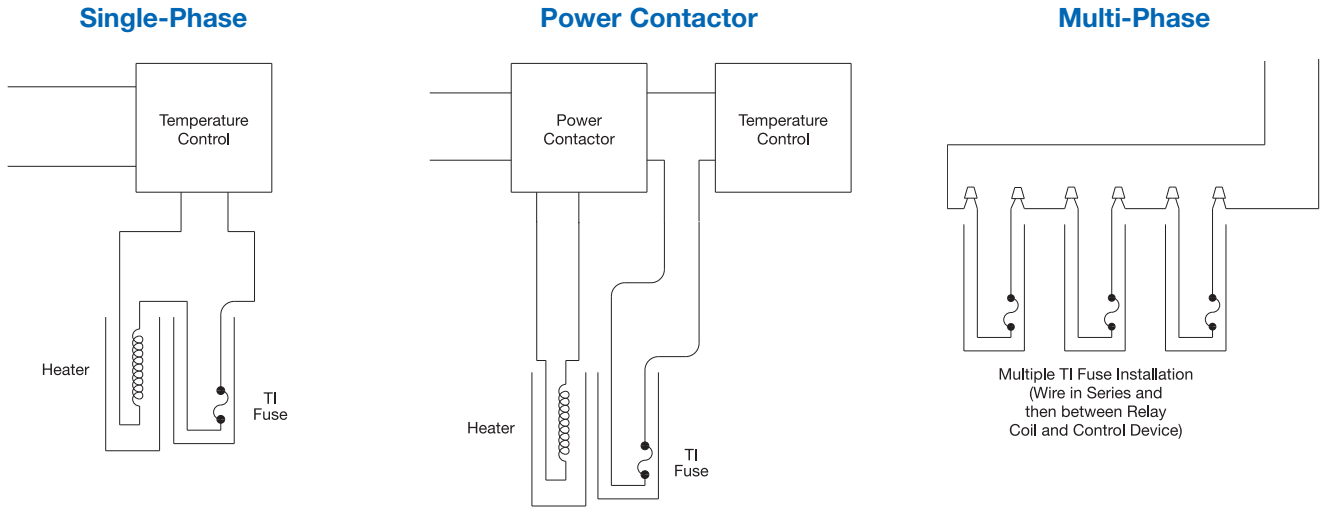


Application Guide for Thermal Over-Temperature Devices

T1 Thermal Fuse Devices

The T1 Over-Temperature Device is a eutectic switch with a pre-specified melt temperature. The “one shot” characteristic is useful in alerting operators to identify and remedy the cause of the over-temperature condition in the course of T1 fuse replacement.

UL listed rating of 15 Amps up to 277 Vac

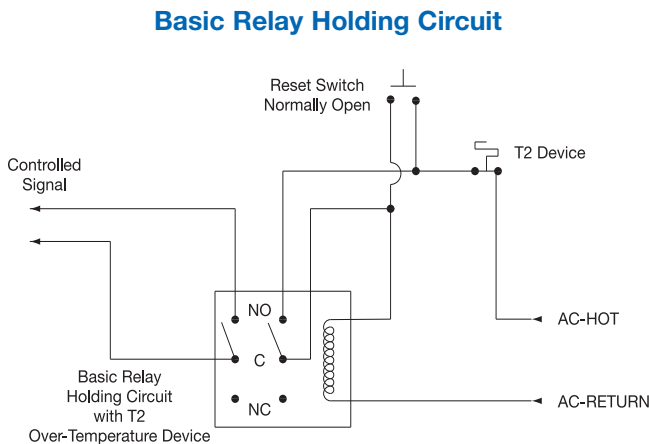


T2 Bi-Metal Switch

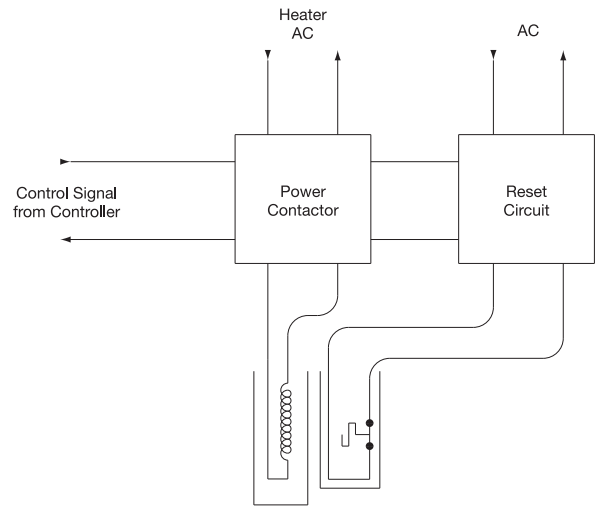
The T2 Over-Temperature Device is a slow make/slow break bimetallic thermostat with a pre-specified calibration temperature. The slow break characteristic coupled with the pushbutton reset feature is extremely useful when a low liquid level occurs.

The T2 Over-Temperature Device is electrically installed with a holding circuit in conjunction with a power contactor to energize the heater. **The T2 device must never be used to directly control heater power.**

UL listed rating of 6 Amps @ 120 Vac or 4 Amps @ 240 Vac



Typical Installation



- NOTE:**
- Multiple heaters are hooked up according to standard electrical practices.
 - Multiple T2 devices are hooked up in series on one reset circuit.