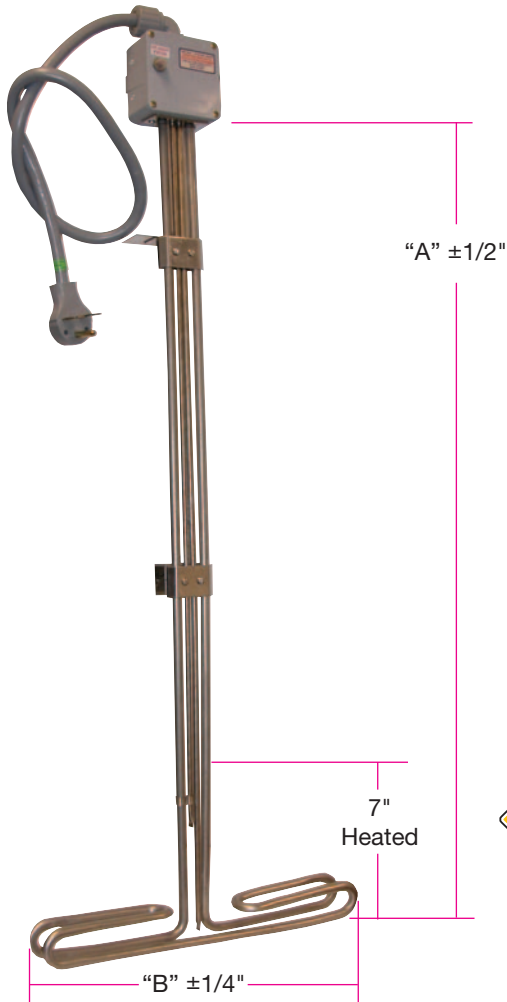


### General Purpose Tank or Reservoir Water Immersion Heater



#### Design Features

- \* Immersion section of heater made of 316 Stainless Steel
- \* Cold riser extends to the top of container where control housing is located
- \* Cord set with 3-wire grounding plug is included for easy installation and wiring.
- \* Adjustable vapor-proof thermostat control with temperature range of 55°F to 115°F (±3°)
- \* Hi-limit cut switch set to 125°F (±4°)
- \* Stainless Steel mounting bracket also supplied for easy mounting
- \* Pilot light and on-off switch provided

#### Hi-Limit:

If the thermostat should fail and its contacts stick in a closed position, the heating element will continue to heat to about 125°F. At this temperature the Hi-Limit will open and turn the heating element off. After repairing or replacing the thermostat the Hi-Limit can be manually reset.



**Hazard of electric shock. Installation must be grounded to earth and heater connected to line input through properly sized GFCI circuit breaker.**

**Disconnect power to heater before servicing. There should be no body contact with the water while the heater is in the water.**

**Under NO circumstances should this heater be turned on unless the system is full of water.**

#### Standard (Non-Stock) and Stock Sizes and Electrical Ratings

**Stock Items Are Shown In RED**

Sheath	Watt Density w/in <sup>2</sup>	Watts	Volts	"A" Dim. in	"B" Dim. in	Part Number	
						4 ft. cord	6 ft. cord
316 Stainless Steel (Bright Annealed)	51	6000	240	39-3/4	17-1/2	TAT40012	<b>TAT40017</b>
	13	1440	120	39-3/4	17-1/2	TAT40016	<b>TAT40013</b>

#### Wiring Diagram – Internal Electrical Connections

