

Tubular Heaters



Finned Tubular Heaters

Fitting Attachment Method — General Guidelines

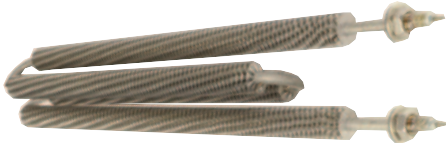
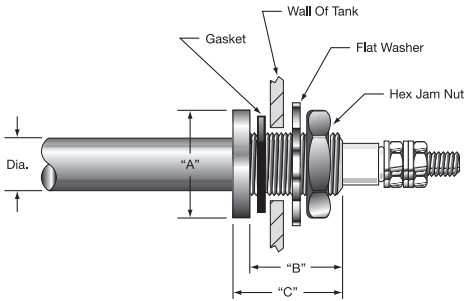
These are guidelines only. Consult Tempco if you require assistance in determining the method best suited to your application.

Fittings Crimped: Low pressure water (up to 80 psig) and non-pressure air applications

Fittings Brazed: Non-ferrous alloys (copper) and dissimilar non-weldable metals

Fittings Welded: High pressure liquids and gases, and high temperature applications

Standard Bulkhead Fittings For Tubular Heaters — Round Flanged Standard



Tubular Diameter		Fitting Material	Flange Type	"A"		"B"		"C"		Thread Size (UNF)
in	mm			in	mm	in	mm	in	mm	
.315	8.0	Brass	Round	3/4	19	1/2	12.7	5/8	16	1/2-20
.315	8.0	Stn. Stl.	Round	3/4	19	1/2	12.7	5/8	16	1/2-20
.375	9.5	Brass	Round	3/4	19	1/2	12.7	5/8	16	1/2-20
.375	9.5	Stn. Stl.	Round	3/4	19	1/2	12.7	5/8	16	1/2-20
.430	10.9	Brass	Round or Hex	7/8	22	3/4	19.0	7/8	22	5/8-18
.430	10.9	Stn. Stl.	Round or Hex	7/8	22	3/4	19.0	7/8	22	5/8-18
.430	10.9	Steel	Round	7/8	22	3/4	19.0	7/8	22	5/8-18
.475	12.1	Brass	Round	7/8	22	3/4	19.0	7/8	22	5/8-18
.475	12.1	Stn. Stl.	Round	7/8	22	3/4	19.0	7/8	22	5/8-18
.475	12.1	Steel	Round	7/8	22	3/4	19.0	7/8	22	5/8-18
.475	12.1	Brass	Round	1	25	3/4	19.0	7/8	22	3/4-16
.475	12.1	Stn. Stl.	Round	1	25	3/4	19.0	7/8	22	3/4-16
.625	15.9	Stn. Stl.	Round	1-1/8	29	3/4	19.0	1	25	7/8-14



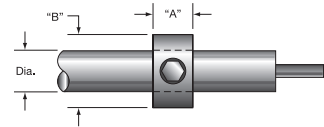
Note: Optional Larger Thread Sizes and Hex Flanged Bulkhead Fittings are available. Consult Tempco with your requirements.

Tubular Heater Standard Mounting Methods

Part Number	For Element Diameter		"A" Thick		"B" OD	
	in	mm	in	mm	in	mm
FAS-108-102	.315	8.0	5/16	7.9	5/8	15.9
FAS-108-103	.375	9.5	3/8	9.5	3/4	19.1
FAS-108-104	.430	10.9	7/16	11.1	7/8	22.2
FAS-108-106	.475	12.0	7/16	11.1	1	25.4

TYPE MC — Mounting Collar

Plated steel mounting collars are locked in place with a set-screw and serve as an adjustable stop for through-the-wall mounting. Collars are shipped in bulk unless otherwise specified. Mounting collars can be ordered with the heater or purchased separately.



TYPE LR — Locator Washer

Locator washers are permanently attached to the heater sheath by staking/crimping and are used to limit the movement of the heater while allowing for expansion and contraction of the heater sheath. When ordering, specify location from end of sheath.

