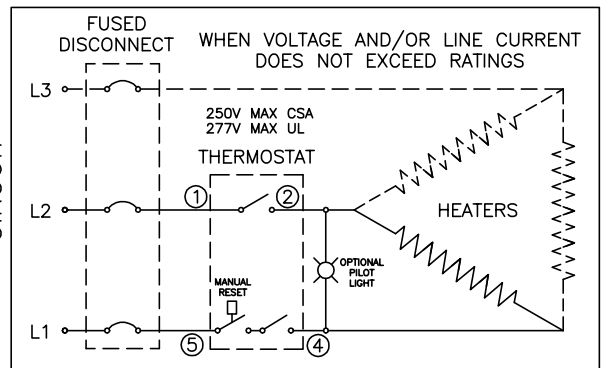
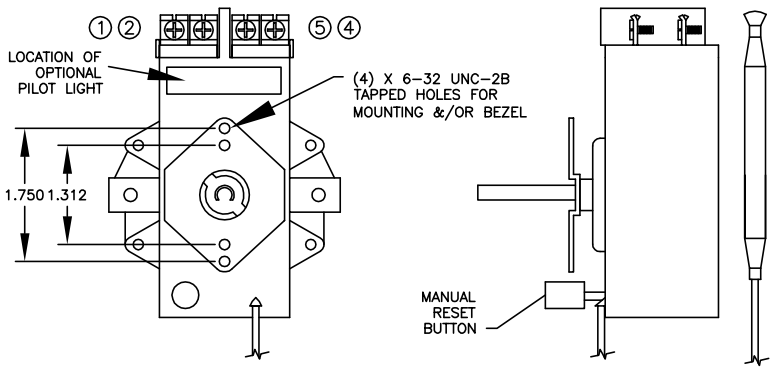


PROPRIETARY AND CONFIDENTIAL: THIS DRAWING AND THE INFORMATION WITHIN ARE PROPRIETARY TO TEMPCO ELECTRIC HEATER CORPORATION AND ARE ISSUED IN STRICT CONFIDENCE ON THE CONDITION THAT THIS DRAWING AND ANY INFORMATION CONTAINED THEREIN SHALL NOT BE COPIED, USE FOR MANUFACTURE OR SALE, OR TRANSMITTED OR DISCLOSED TO A THIRD PARTY, IN WHOLE OR IN PART, WITHOUT THE PRIOR WRITTEN CONSENT OF TEMPCO ELECTRIC HEATER CORPORATION. REMOVING THIS DOCUMENT FROM TEMPCO WITHOUT TEMPCO'S WRITTEN CONSENT IS PROHIBITED. TEMPCO ELECTRIC HEATER CORPORATION. ALL RIGHTS RESERVED.

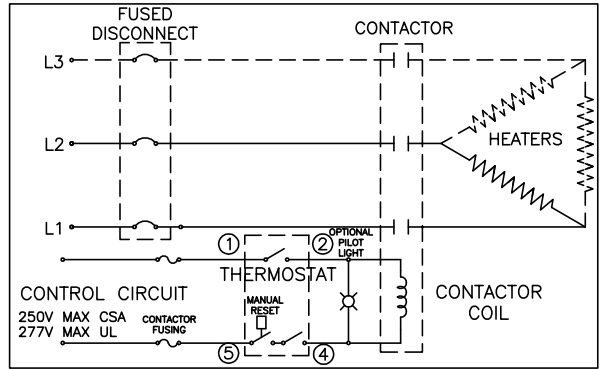
| | | | | |
|-------|-----|----------|------|----|
| ECO # | NO. | REVISION | DATE | BY |
|-------|-----|----------|------|----|

| TST-110- | LOW F | HIGH F | UL RATED V | UL A @ RATED V | CSA RATED V | CSA A @ RATED V | BULB LENGTH | BULB MAX. DIA. | CAPILLARY LENGTH | KNOB |
|----------|-------|--------|------------|----------------|-------------|-----------------|-------------|----------------|------------------|-------------|
| 113 | 60 | 250 | 277 | 30 | 125/250 | 30/25 | 4.5 | 0.375 | 72 | TST-104-103 |
| 127 | 60 | 250 | 277 | 30 | 125/250 | 30/25 | 4.5 | 0.375 | 18 | TST-104-103 |
| 128 | 60 | 250 | 277 | 30 | 125/250 | 30/25 | 4.5 | 0.375 | 24 | TST-104-103 |
| 129 | 60 | 250 | 277 | 30 | 125/250 | 30/25 | 4.5 | 0.375 | 36 | TST-104-103 |

NOTE: THERMOSTAT TERMINALS MARKED 3 & 6 ARE NOT EXTERNAL CONNECTION POINTS



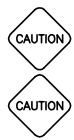
1Ø OR 3Ø
TYPICAL
CIRCUIT



1Ø OR 3Ø CIRCUIT
IF LINE VOLTAGE
AND/OR CURRENT EXCEEDS
THERMOSTAT RATING

WARNING: HAZARD OF ELECTRIC SHOCK. INSTALLATION MUST BE GROUNDED TO EARTH TO AVOID SHOCK HAZARD. DISCONNECT POWER TO INSTALLATION BEFORE SERVICING OR INSTALLING THERMOSTAT.

WARNING: WIRE INSULATION RATING MUST BE SUITABLE FOR THE AMBIENT TEMPERATURE OF THE WIRING INSTALLATION. AMPACITY & VOLTAGE RATINGS SHOULD BE IN ACCORDANCE WITH NEC (NATIONAL ELECTRICAL CODE) & OTHER LOCAL REGULATIONS.



DO NOT USE THE THERMOSTAT AS A POWER SWITCH. THERMOSTATS ARE NOT A FAIL SAFE DEVICE. USE AN APPROVED LIMIT CONTROL FOR SAFE OPERATION.

WHEN IN DOUBT, CONSULT A PROFESSIONAL ELECTRICIAN OR CALL 800-323-6859.

NOTES:

- SHAFT ROTATION IS CLOCKWISE TO INCREASE TEMPERATURE.
- MAXIMUM AMBIENT EXPOSURE OF THERMOSTAT BODY PER TABLE.
- MAXIMUM BULB EXPOSURE NOT TO EXCEED HIGH F RATING IN TABLE.
- UL RECOGNIZED, CSA CERTIFIED.
- WHEN INSTALLING TEMPERATURE SENSING BULB, AVOID BENDS OR KINKING OF THE CAPILLARY TUBE.
- THIS TYPE THERMOSTAT HAS AN "OFF" POSITION.
- TO RESET S'TAT W/MANUAL RESET: ROTATE CLOCKWISE TO SET TEMPERATURE & PRESS RESET BUTTON TO START SYSTEM - ANY TIME DIAL HAS ALSO BEEN TURNED TO THE OFF POSITION OR BELOW SET POINT.
- INSTALL PILOT LAMP ONLY WITH THE #6-32 X 3/8" LG SCREW SUPPLIED

OPTIONAL ACCESSORIES AVAILABLE:

- CHROME PLATED FRONT BEZEL - P/N TST-111-101, W/(2) SCW-106-102 MOUNTING SCREWS (6-32 X 5/16" LG)
- PILOT LAMP - P/N EHD-109-103, W/(1) SCW-106-104 MOUNTING SCREW (6-32 X 3/8" LG) USABLE ON 120V TO 480V CONTROL CIRCUITS

TITLE:

WIRING INSTRUCTIONS
DOUBLE POLE
SINGLE THROW THERMOSTAT
STYLE C

| | | | | |
|-----------|-----------|------|---------|-----------------|
| DRAWN BY: | APPROVED: | REV. | DATE: | DRAWING NUMBER: |
| CBK | GDS | 8 | 3/23/05 | IDP-119-106 |

630.350.2252 WWW.TEMPCO.COM

TEMPCO Electric Heater Corporation
607 N. Central Ave.
Wood Dale, IL 60191-1452 U.S.A.
Email: info@tempco.com