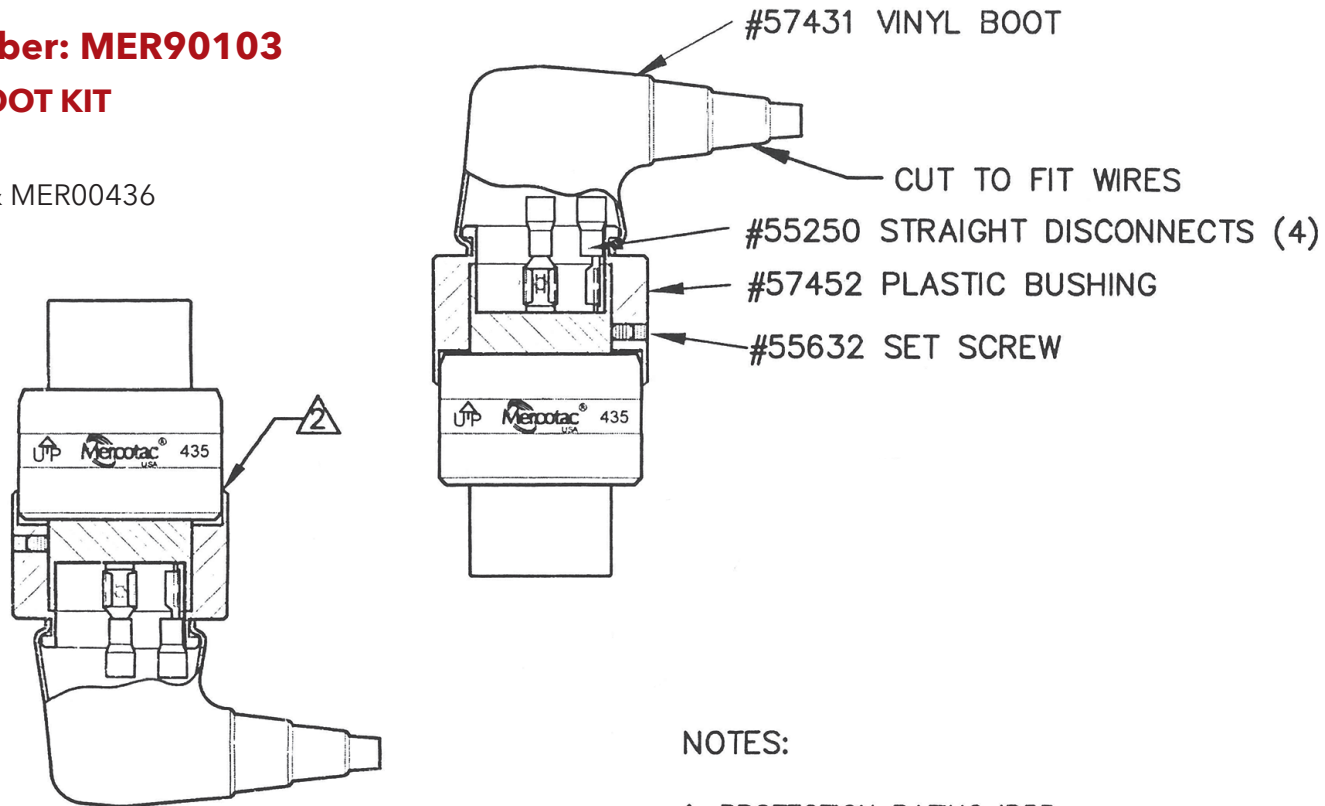


Part Number: MER90103

#57435 BOOT KIT

Used with
MER00435 & MER00436



NOTES:

1. PROTECTION RATING IP53
2. IF THE MERCOTAC CONNECTOR IS MOUNTED BY THE BEARING END (WITHOUT LOAD ON THE BEARING), THEN AN IP55 RATING MAY BE OBTAINED BY CAULKING THE STATIC JOINT BETWEEN THE BUSHING & THE MERCOTAC CONNECTOR BODY.