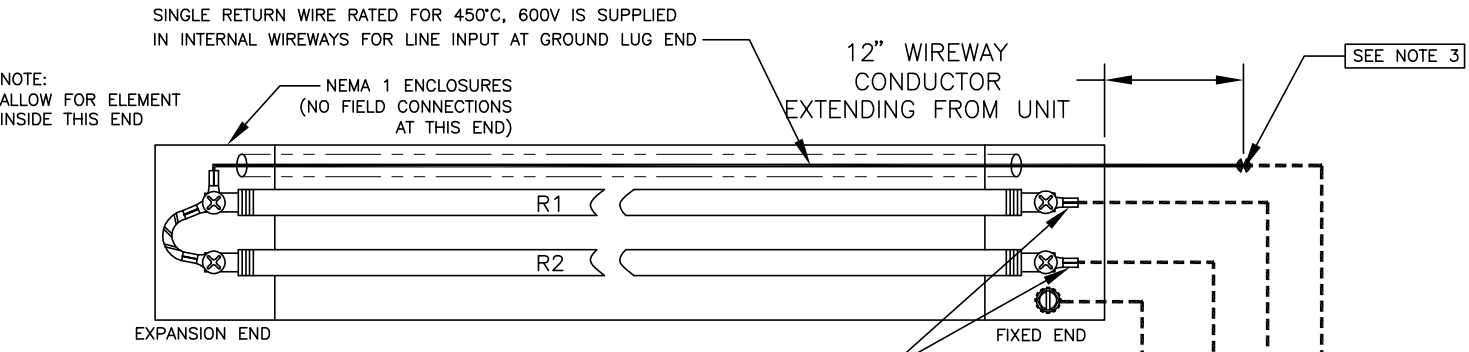


# TRH2/KRH2 DUAL VOLTAGE OR 3 HEAT WIRING INSTRUCTIONS

## SERIES 2 UNITS – SINGLE END WIRED

**"WARNING:"**

DO NOT USE COPPER WIRE TO MAKE CONNECTIONS INSIDE THIS HEATER. HIGH TEMPERATURES WILL OXIDIZE COPPER. USE OF NICKEL PLATED OR NICKEL CLAD INSULATED COPPER WIRE IS RECOMMENDED. WIRE INSULATION RATING MUST BE SUITABLE FOR THE AMBIENT TEMPERATURE OF THE WIRING INSTALLATION. AMPACITY & VOLTAGE RATINGS SHOULD BE IN ACCORDANCE WITH NEC/NFPA (NATIONAL ELECTRICAL CODE) & ALL OTHER LOCAL REGULATIONS.



ATTACH PROPERLY RATED LINE INPUT WIRES TO THIS END OF THE DUAL ELEMENT ASSEMBLY USING THE NI-STEEL RING CRIMP CONNECTORS PROVIDED. SOLID OR STRANDED CONDUCTORS CAN BE USED. USE ONLY INSULATED NICKEL PLATED, NICKEL CLAD, OR NICKEL CONDUCTOR.

(NOTE; ELEMENT VOLTAGE = LINE VOLTAGE FOR PARALLEL CIRCUIT OPERATION)

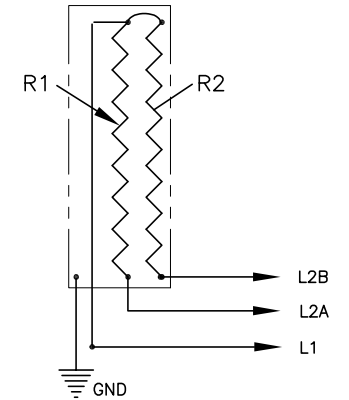
1Ø LINE VOLTAGE INPUT W/GROUND  
CONNECT PER TABLE 1 OR TABLE 2

TABLE 1  
3 HEAT CONNECTIONS (SINGLE INPUT VOLTAGE)

HEAT RANGE	LINE INPUT WIRING
MAX HEAT	TO L1 AND L2A/L2B TOGETHER
MEDIUM HEAT	TO L1 & L2A OR L2B ONLY
LOW HEAT	TO L2A & L2B (L1 NOT USED)

TABLE 2  
DUAL VOLTAGE CONNECTIONS (FOR 240/480V OR 120/240V UNITS)

INPUT VOLTAGE	LINE INPUT WIRING
HIGH (480 OR 240)	TO L2A AND L2B (REMOVE L1-NOT USED)
LOW (240 OR 120)	TO L1 AND L2A/L2B TOGETHER



**WIRING NOTES;**

- ELECTRICAL CONNECTIONS TO THE HEATER ARE MADE THROUGH THE 1/2 NPT TAPPED HOLES IN THE TOP OF THE HOUSING OR THROUGH THE K.O. AT END. WIRING SHOULD BE RUN IN RIGID OR FLEXIBLE METAL CONDUIT AND INSTALLED IN ACCORDANCE WITH NEC AND ALL LOCAL CODES THAT MAY BE APPLICABLE. ACCESS TERMINALS BY REMOVING THE ENCLOSURE COVER SCREWS. 12GA FOR UNITS OVER 20A & 14GA FOR 20A OR LOWER.
- LEADWIRE RATED AT 250°C OR HIGHER IS RECOMMENDED INSIDE THE HEATER JUNCTION BOX. USE OF 200°C WIRE IS PERMITTED ONLY IF UNIT IS USED AT AMBIENT CONDITIONS BELOW 104°F. HIGH TEMPERATURE WIRE IS AVAILABLE FROM TEMPCO.
- "CAUTION;" USE 200°C OR HIGHER RATED WIRING MATERIAL TO CONNECT TO THIS CROSSOVER WIRE INSIDE TRH HOUSING OR CONNECT TO FIELD WIRING USING EXTERNAL JUNCTION BOX.
- EXTERNAL SWITCHING REQUIRED FOR 3 HEAT OPERATION. INTERNAL WIREWAY WIRE SHOULD BE REMOVED IF L1 CONNECTION IS NOT TO BE MADE OR UNIT IS TO BE DOUBLE END WIRED.

"WARNING;" HAZARD OF ELECTRIC SHOCK. INSTALLATION MUST BE GROUNDED TO EARTH TO AVOID SHOCK HAZARD. DISCONNECT POWER TO INSTALLATION BEFORE SERVICING OR INSTALLING HEATER

TITLE:  
TRH/KRH UNIVERSAL 2000  
RADIANT HEATER DUAL VOLTS  
OR 3 HEAT WIRING INSTRUCTIONS  
NEMA 1 HOUSING – SERIES 2

DRAWN BY: T.J.L. APPROVED: G.D.S. REV: 1 DATE: 8/27/13 DRAWING NUMBER: IDP-129-107

**TEMPCO**  
www.tempeco.com

TEMPCO Electric Heater Corporation  
607 N. Central Ave.  
Wood Dale, IL 60191-1452 U.S.A.  
Email: info@tempeco.com