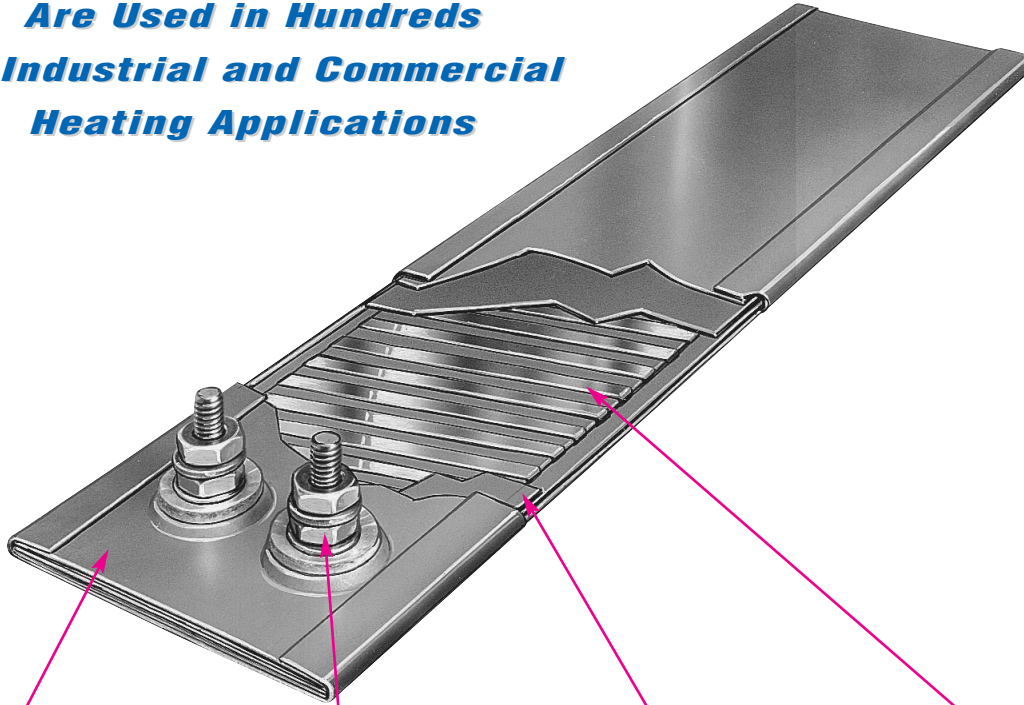


## MICA INSULATED

**Mica Insulated Strip Heaters  
Are Used in Hundreds  
of Industrial and Commercial  
Heating Applications**

**AN ECONOMICAL,  
PRACTICAL AND  
RELIABLE  
HEAT SOURCE  
CAPABLE OF  
PROVIDING  
UNIFORM HEAT  
TRANSFER TO  
FLAT SURFACES**



**A** Specially treated rust-resistant steel sheath casing provides the best combination of physical strength, high emissivity and good thermal conductivity for sheath temperatures up to 900°F (482°C). For corrosive atmospheres, stainless steel sheath is available.

**B** For maximum connecting surface, the specially designed stainless steel screw terminals are securely fastened to a connecting jumper, assuring positive contact with the windings, providing maximum current carrying capacity. For other terminal or lead arrangements, see pages 8-22 and 8-23.

**C** Specially selected mica grade and thickness is used to insulate the windings, providing excellent thermal conductivity and dielectric strength.

**D** A specific nickel-chrome resistance ribbon wire size is properly engineered to achieve the best combination of wire gauge and spacing between turns, thereby providing the lowest winding temperature possible. The ribbon wire is wound on a specially selected Mica Strip, providing even heat distribution for maximum heater life.

### Typical Applications

- ➔ Food Warming Equipment
- ➔ Packaging Equipment
- ➔ Blow Molding Equipment
- ➔ Testing Equipment
- ➔ Vulcanizing Presses
- ➔ Vending Machines
- ➔ Hot Plates
- ➔ Ovens
- ➔ Molds
- ➔ Kettles
- ➔ Incubators

### Agency Approvals



Mica Strip heaters are UL recognized and CSA certified in many design variations. Tempco's UL file number is E65652 and CSA file number is 043099.

*If you require UL, CSA, or other NRTL agency approvals, please specify when ordering.*

