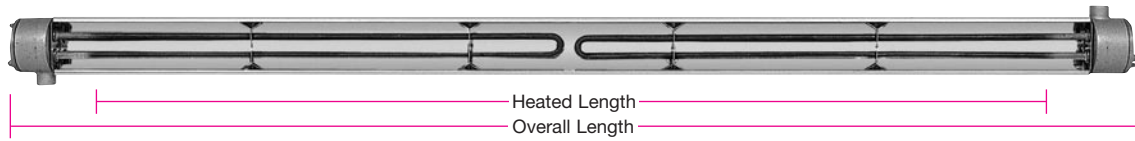


TRH6 Series — Dual Hairpin Element Liquid Tight Double End Termination

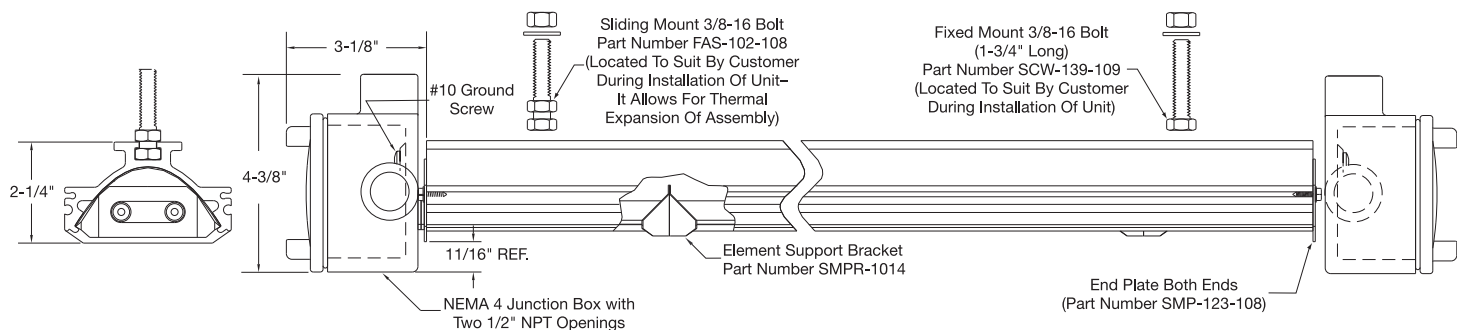


Standard (Non-Stock) Sizes and Electrical Ratings

Wattage	Volts	Overall Length in.	Heated Length in.	Part Number without Wire Guard	Part Number with Protective Wire Guard	Replacement Heating Element	Replacement Protective Wire Guard	Replacement Reflector Set
6000	208	72	64	TRH60001	TRH60020	THE09205	GRD-104-119	SMPR-1047
	240			TRH60002	TRH60021	THE09206		
	277			TRH60003	TRH60022	THE09207		
	480			TRH60004	TRH60023	THE09208		
7200	208	84	76	TRH60005	TRH60024	THE09209	GRD-104-120	SMPR-1048
	240			TRH60006	TRH60025	THE09210		
	277			TRH60007	TRH60026	THE09211		
	480			TRH60008	TRH60027	THE09212		
8000	208	96	88	TRH60009	TRH60028	THE09213	GRD-104-121	SMPR-1049
	240			TRH60010	TRH60029	THE09214		
	277			TRH60011	TRH60030	THE09215		
	480			TRH60012	TRH60031	THE09216		
9000	208	108	100	TRH60013	TRH60032	THE09217	GRD-104-122	SMPR-1050
	240			TRH60014	TRH60033	THE09218		
	277			TRH60015	TRH60034	THE09219		
	480			TRH60016	TRH60035	THE09220		



Note: Tubular elements are supplied at the same rated voltage as the overall assembly and are wired in parallel. 120 or 240V rated assemblies can be used at twice the rated voltage by wiring the elements in series (120/240V or 240/480V).



See Page 7-84 for Wiring Options

See Page 7-84 for Stock Heavy Duty Quick Disconnect Plugs and Receptacles