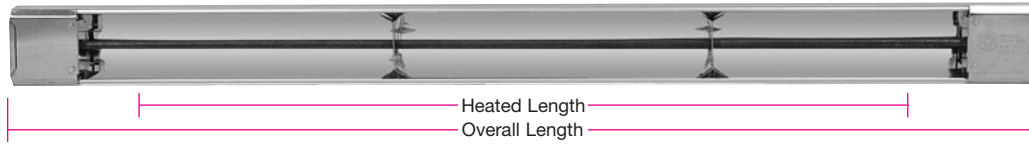


TRH1 Series — Single Straight Element Double End Termination



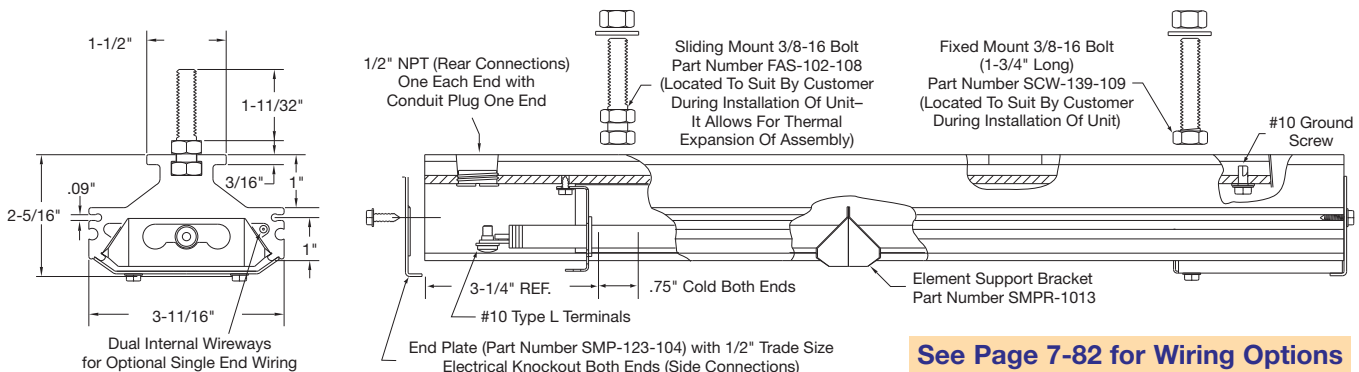
Standard (Non-Stock) Sizes and Electrical Ratings

Wattage	Volts	Overall Length in.	Heated Length in.	Part Number without Wire Guard	Part Number with Protective Wire Guard	Replacement Heating Element	Replacement Protective Wire Guard	Replacement Reflector Set
600	120	18	10	TRH10001	TRH10040	THE09100	GRD-104-104	SMPR-1018
	208			TRH10002	TRH10046	THE09101		
	240			TRH10003	TRH10047	THE09102		
	277			TRH10004	TRH10048	THE09103		
800	120	24	16	TRH10005	TRH10049	THE09104	GRD-104-105	SMPR-1019
	208			TRH10006	TRH10050	THE09105		
	240			TRH10007	TRH10051	THE09106		
	277			TRH10008	TRH10052	THE09107		
1100	120	30	22	TRH10009	TRH10053	THE09108	GRD-104-106	SMPR-1020
	208			TRH10010	TRH10054	THE09109		
	240			TRH10011	TRH10055	THE09110		
	277			TRH10012	TRH10056	THE09111		
1300	208	36	28	TRH10014	TRH10058	THE09113	GRD-104-107	SMPR-1021
	240			TRH10015	TRH10059	THE09114		
	277			TRH10016	TRH10060	THE09115		
	480			TRH10017	TRH10061	THE09116		
1800	208	48	40	TRH10018	TRH10062	THE09117	GRD-104-108	SMPR-1022
	240			TRH10019	TRH10063	THE09118		
	277			TRH10020	TRH10064	THE09119		
	480			TRH10021	TRH10065	THE09120		
2500	208	60	51	TRH10022	TRH10066	THE09121	GRD-104-109	SMPR-1023
	240			TRH10023	TRH10067	THE09122		
	277			TRH10024	TRH10068	THE09123		
	480			TRH10025	TRH10069	THE09124		
3000	208	72	63	TRH10026	TRH10070	THE09125	GRD-104-110	SMPR-1024
	240			TRH10027	TRH10071	THE09126		
	277			TRH10028	TRH10072	THE09127		
	480			TRH10029	TRH10073	THE09128		
3600	208	84	75	TRH10030	TRH10044	THE09129	GRD-104-111	SMPR-1025
	240			TRH10031	TRH10074	THE09130		
	277			TRH10032	TRH10075	THE09131		
	480			TRH10033	TRH10076	THE09132		



Optional Heating Element Protective Guard

Prevents accidental direct contact with heating element.



See Page 7-82 for Wiring Options

See Page 7-84 for Stock Heavy Duty Quick Disconnect Plugs and Receptacles