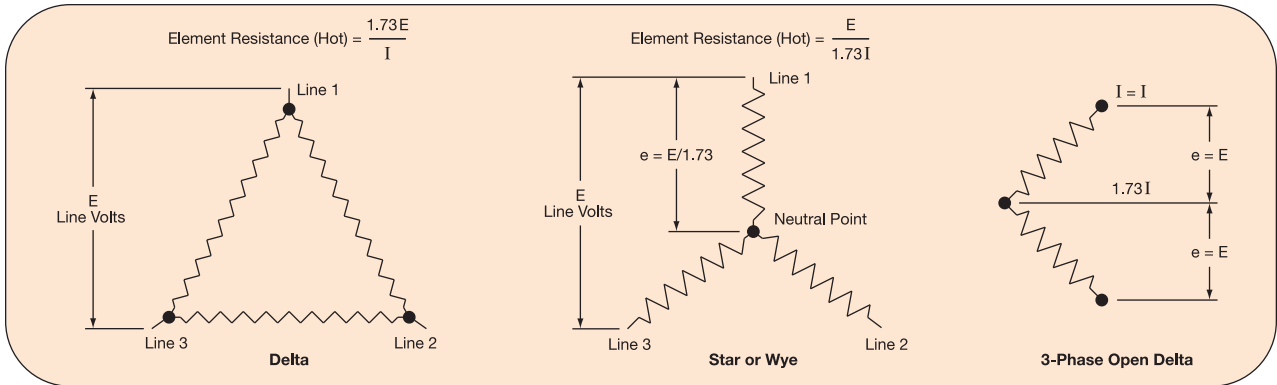
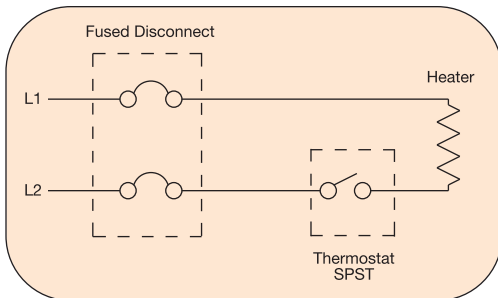


Wiring Diagrams

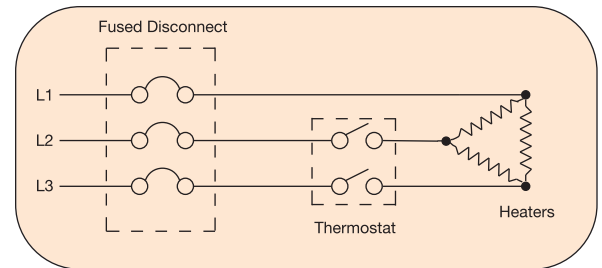


For current in 3 phase circuits: $I = \frac{W}{1.73E}$

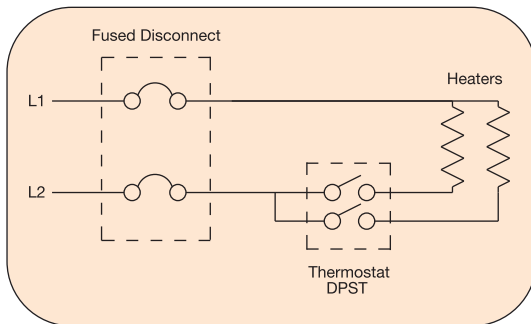
Note: If elements are designed for 3-phase delta connection wattage output may be reduced to 1/3 by rewiring to 3-phase WYE.



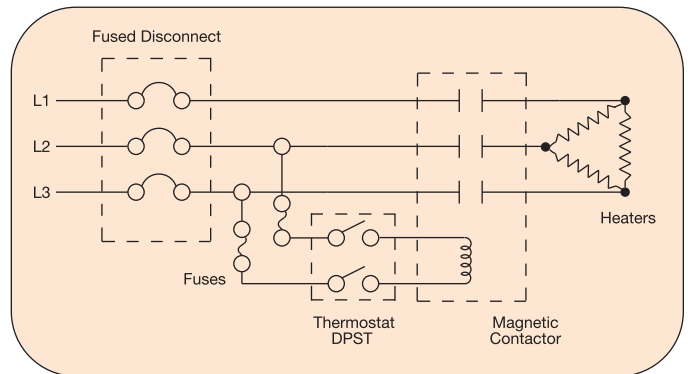
Single-phase circuit with SPST thermostat.



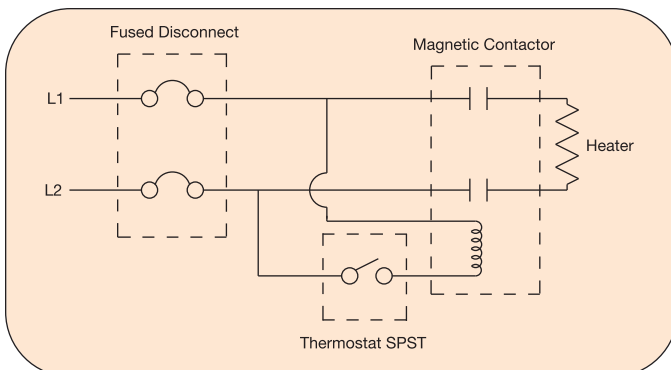
Three-phase circuit with DPST thermostat.



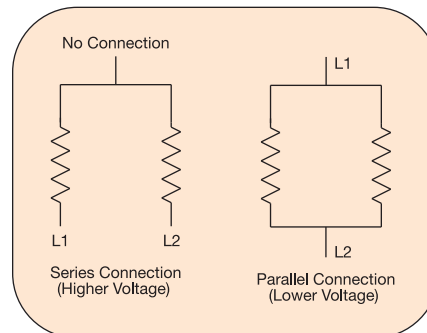
Single-phase circuit with thermostat connected for half current load across each contact.



Three-phase circuit when line current exceeds thermostat rating.



Single-phase circuit when line current exceeds thermostat rating.



Dual Voltage

Example: Two 120V heaters wired in parallel for 120V operation or wired in series for 240V operation.

NOTE: To reduce wattage in a system, two heaters rated at 240 volts wired in series to a 240 volt power supply will generate 1/4 of their rated wattage.