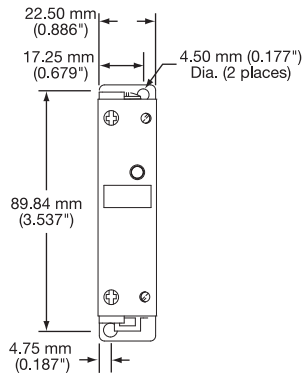
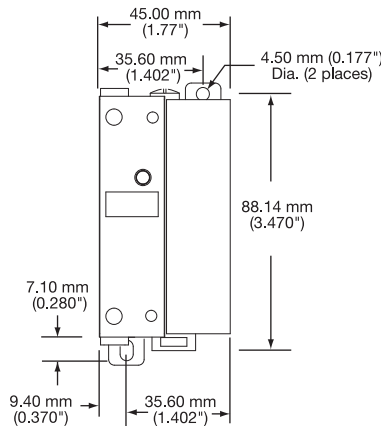


Specifications and De-Rating Curves for Power Pack DIN Rail Relay Modules

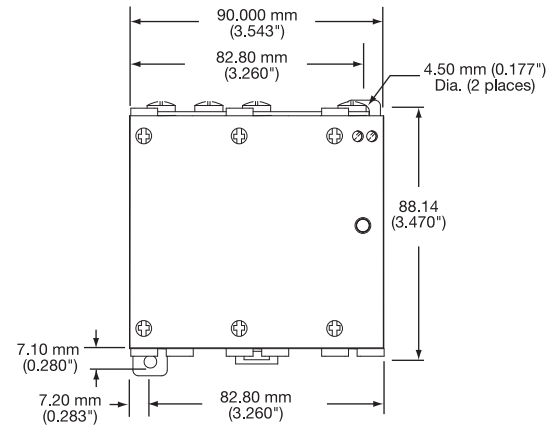
Dimensional Specifications mm (inches)



Depth 120.75 mm (4.754")



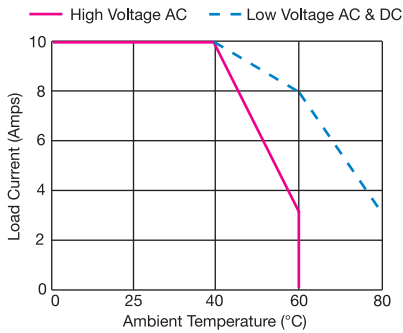
Depth
120.66 mm (4.750")



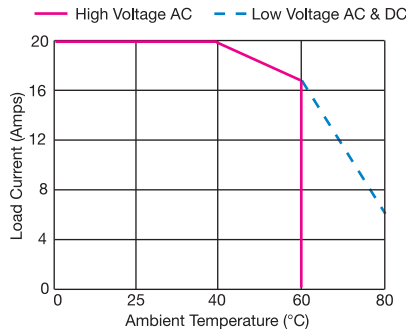
Depth
123.40 mm (4.858")

Derating Curve – 22.5 mm size

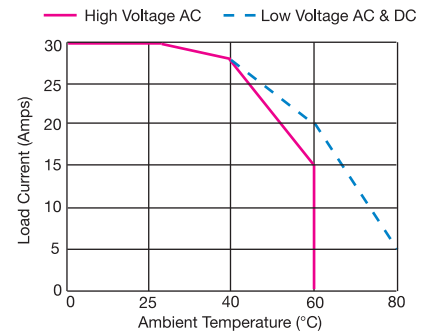
10 AMP Series De-rating Curves



20 AMP Series De-rating Curves

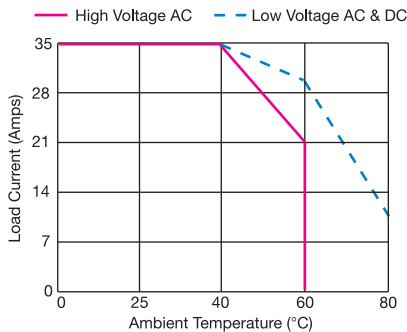


30 AMP Series De-rating Curves

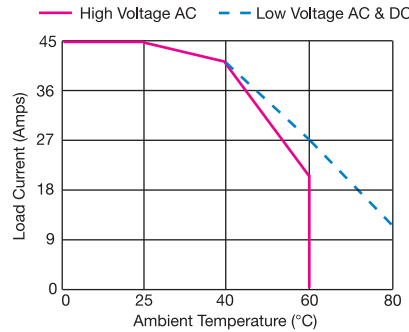


Derating Curve – 45 mm size

35 AMP Series De-rating Curves

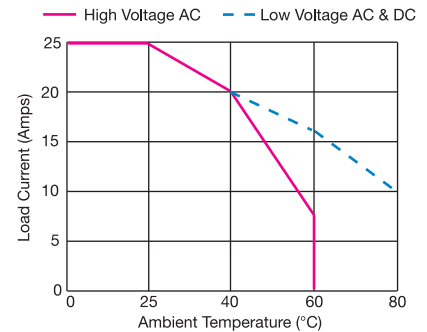


45 AMP Series De-rating Curves



Derating Curve – 90 mm size

25 AMP-3 Phase Series De-rating Curves



Ordering Information

Choose the **Part Number** of the relay from the table above that matches the needs for your application. Tempco also offers a complete line of SCR Power Controls, Mechanical Relays, and Mercury Relays for your power handling needs. **Standard lead time is stock to 3 weeks.**

⚠ WARNING: Cancer and Reproductive Harm - www.P65Warnings.ca.gov.

(800) 323-6859 • Email: sales@tempco.com